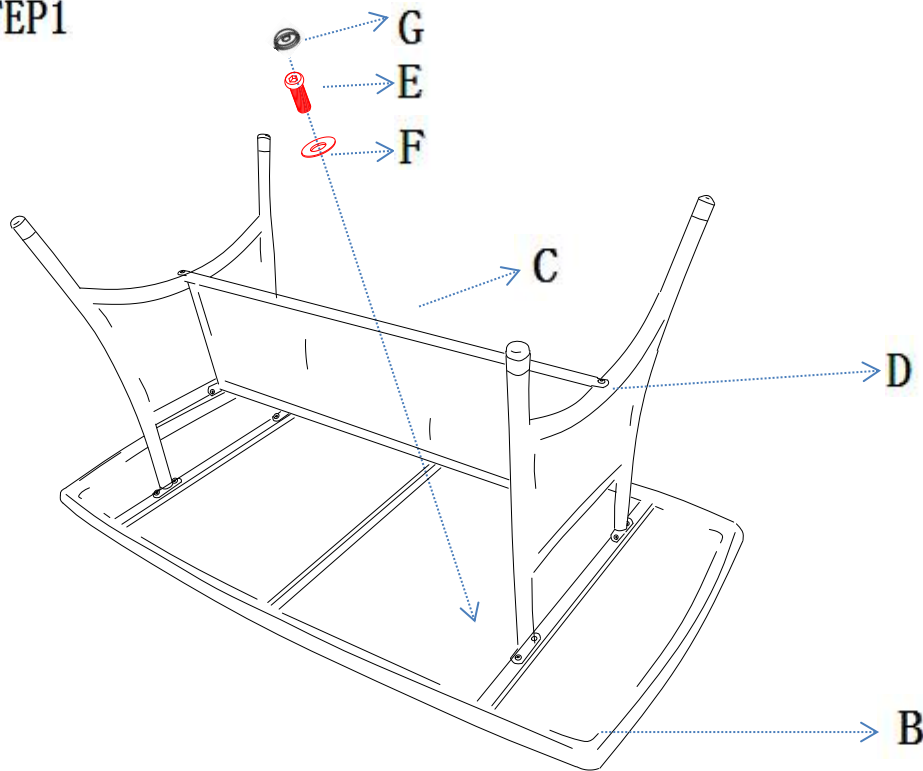


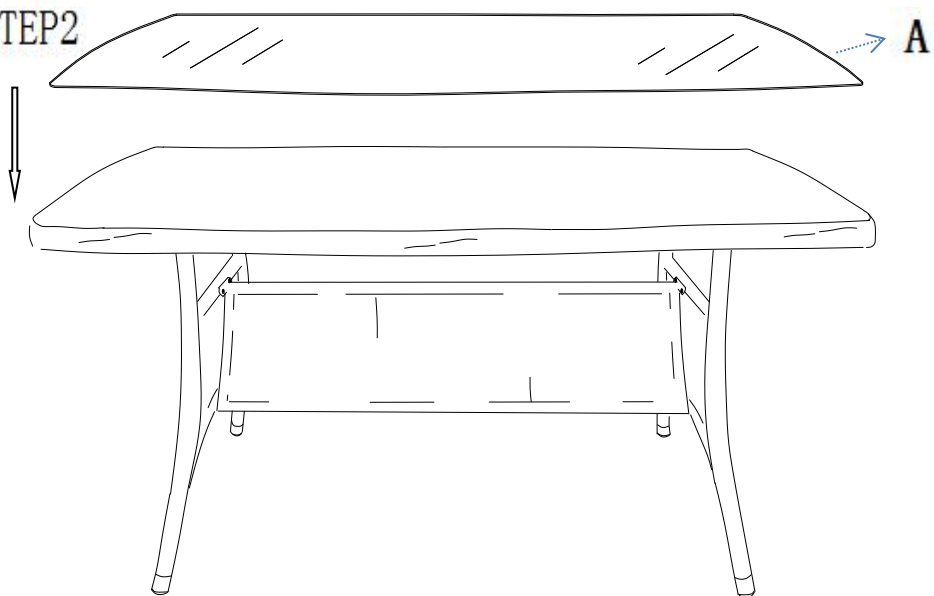
# ASSEMBLY INSTRUCTION/ СХЕМА СБОРКИ

## PART LIST

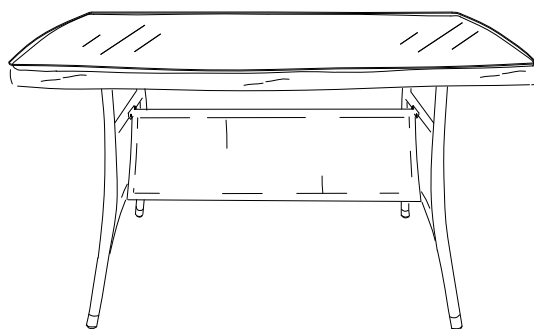
STEP1

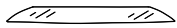

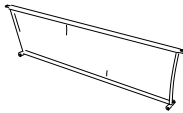
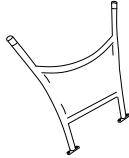



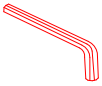


STEP2



STEP3



NO.	PART	QTY.
A		1
B		1
C		1
D		2
E		14
F		14
G		14
H		1