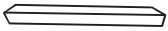



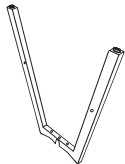

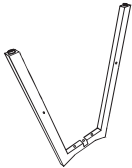





# ASSEMBLY INSTRUCTION / СХЕМА СБОРКИ

|                                                                                                                                       |                                                                                                                                          |
|---------------------------------------------------------------------------------------------------------------------------------------|------------------------------------------------------------------------------------------------------------------------------------------|
| <p>Ax2</p>  <p style="text-align: center;">335mm</p> | <p>Fx1</p>  <p style="text-align: center;">6*35mm</p>   |
| <p>Bx2</p>  <p style="text-align: center;">345mm</p> | <p>Gx4</p>  <p style="text-align: center;">6*50mm</p>   |
| <p>Cx1</p>                                           | <p>Hx13</p>                                             |
| <p>Dx1</p>                                         | <p>Ix1</p>                                            |
| <p>Ex1</p>                                         | <p>Jx8</p>  <p style="text-align: center;">6*32mm</p> |

