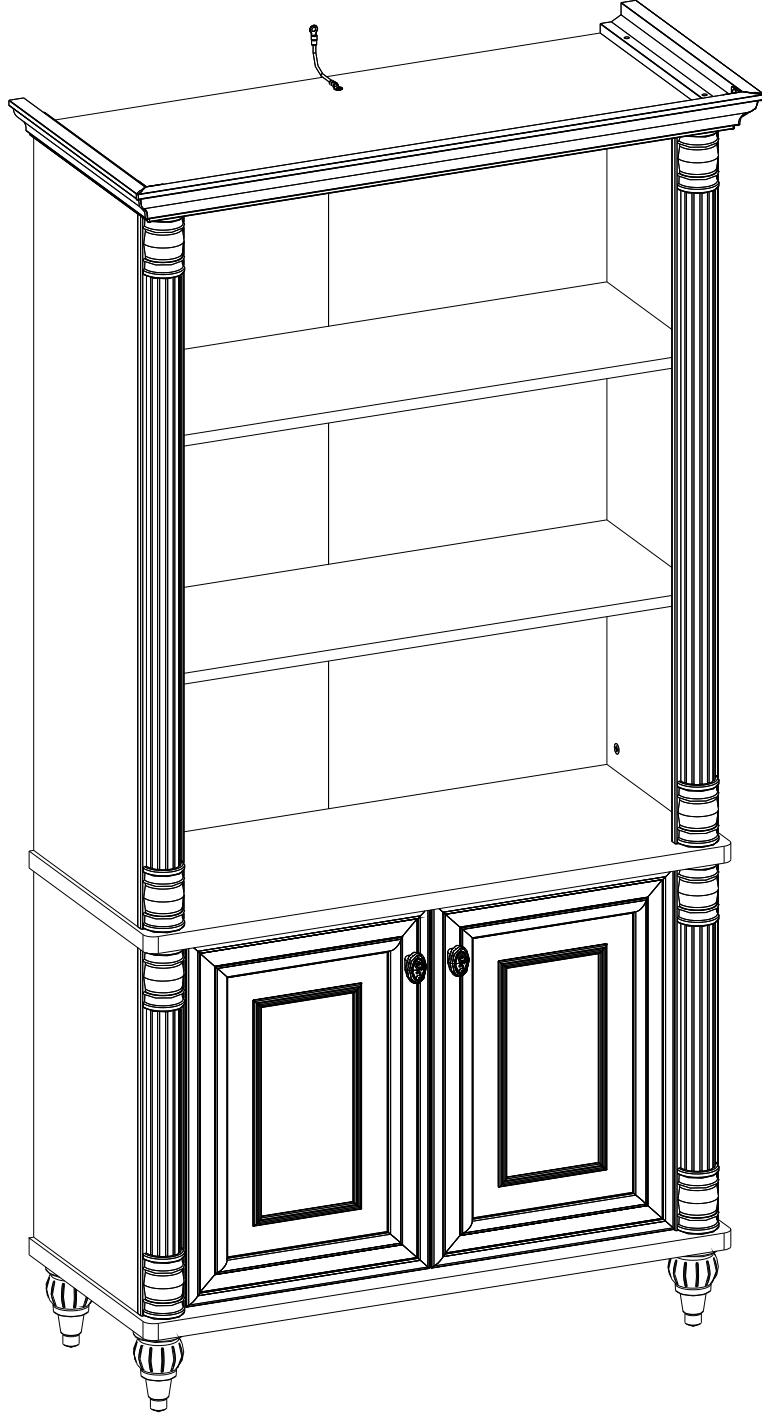
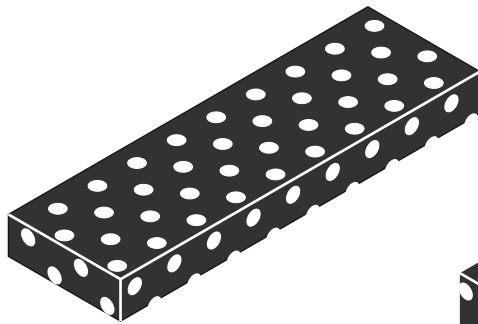
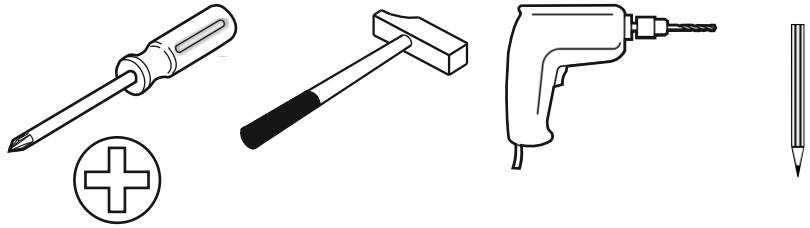
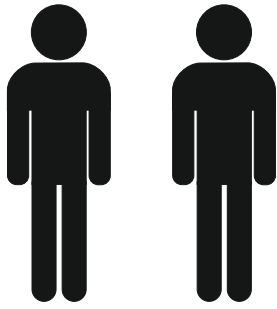
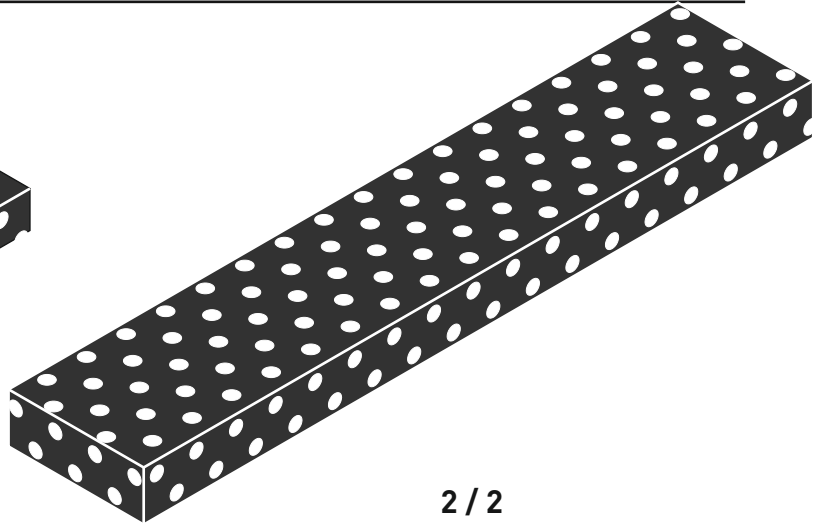


20.21.1501.01

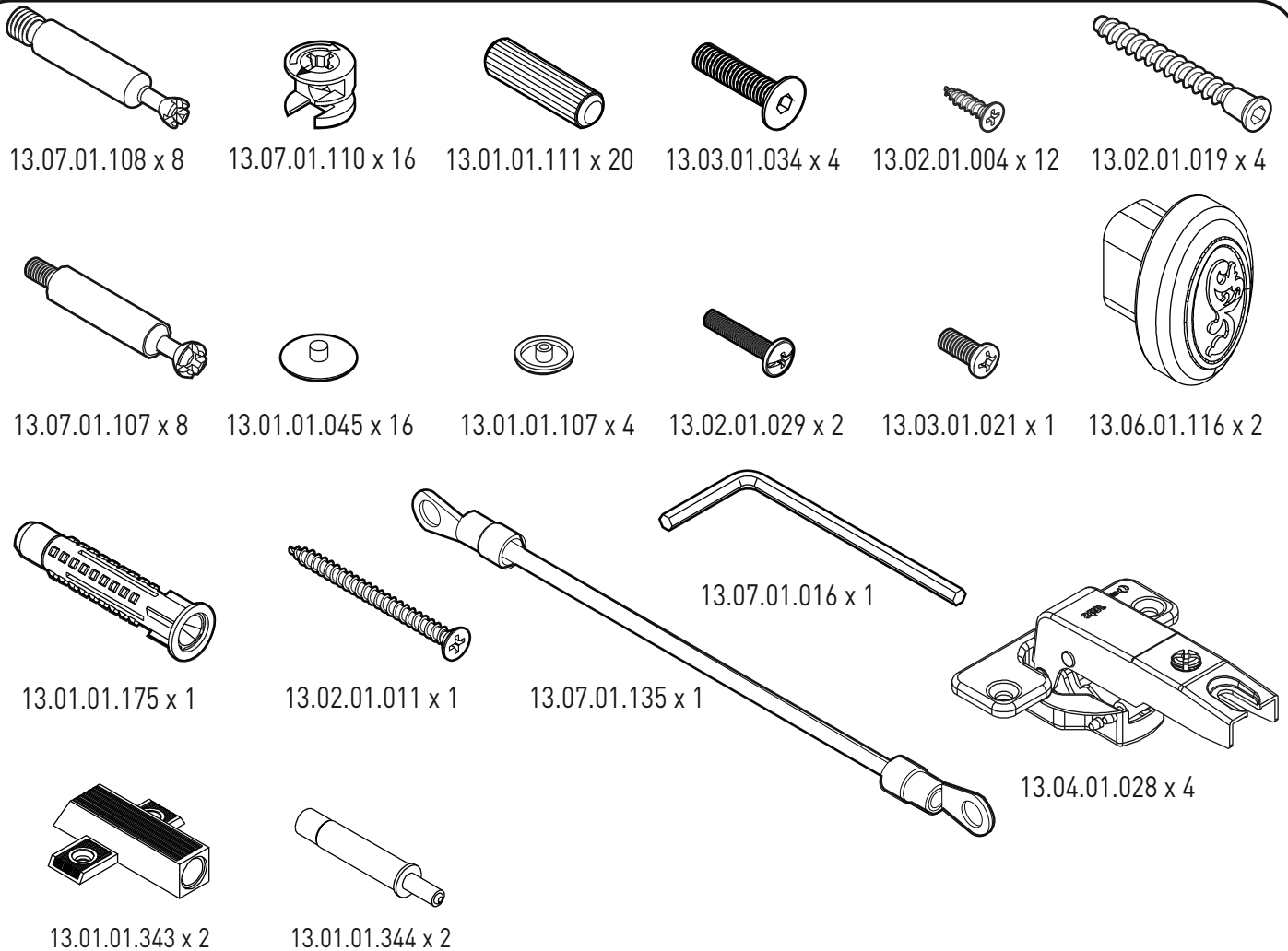




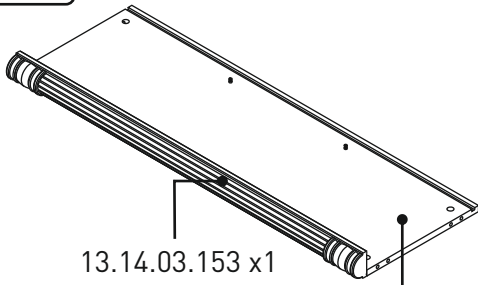
2 / 1



2 / 2

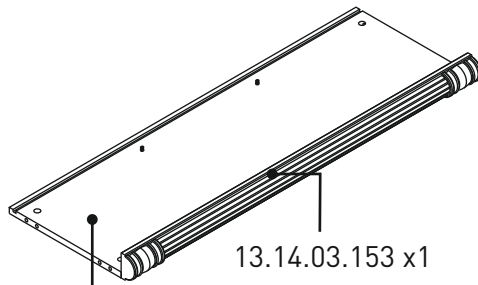


2 / 1



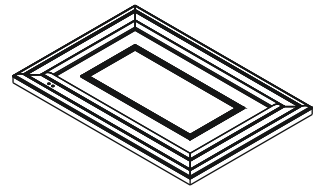
13.14.03.153 x 1

18.21.1501.008 x 1

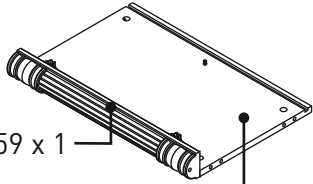


13.14.03.153 x 1

18.21.1501.006 x 1

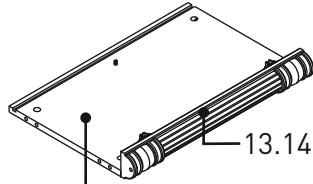


18.21.1501.051 x 1



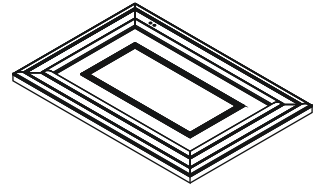
13.14.03.259 x 1

18.21.1501.054 x 1

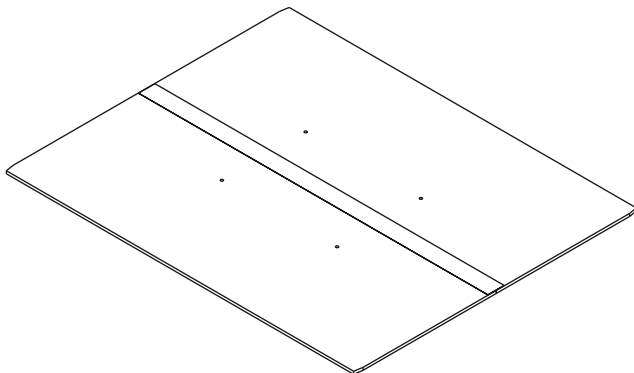


13.14.03.259 x 1

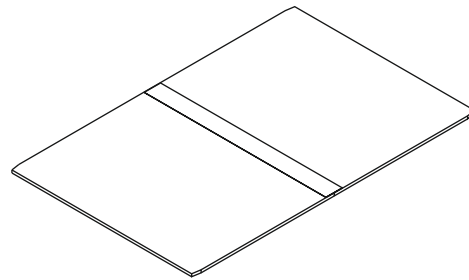
18.21.1501.052 x 1



18.21.1501.050 x 1

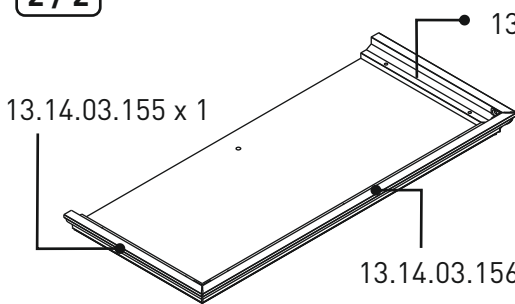


18.21.1501.018 x 1



18.21.1501.057 x 1

2 / 2

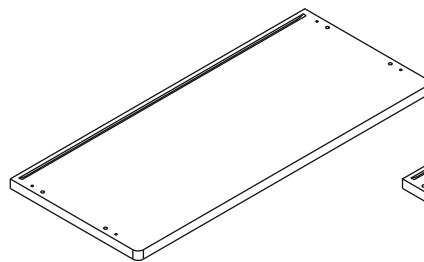


13.14.03.155 x 1

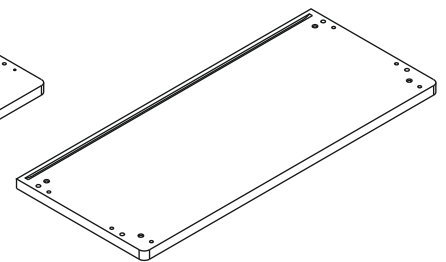
13.14.03.157 x 1

13.14.03.156 x 1

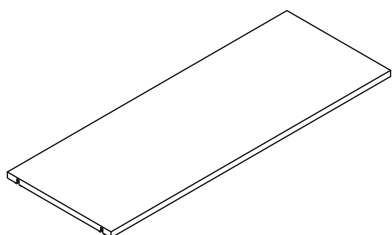
18.21.1501.009 x 1



18.21.1501.005 x 1



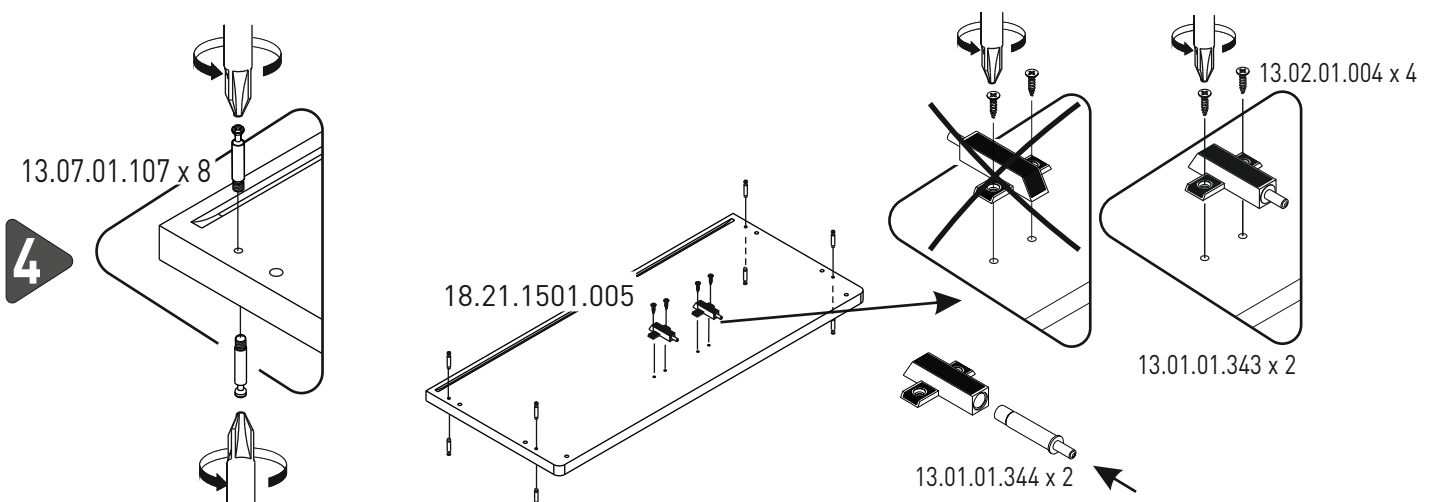
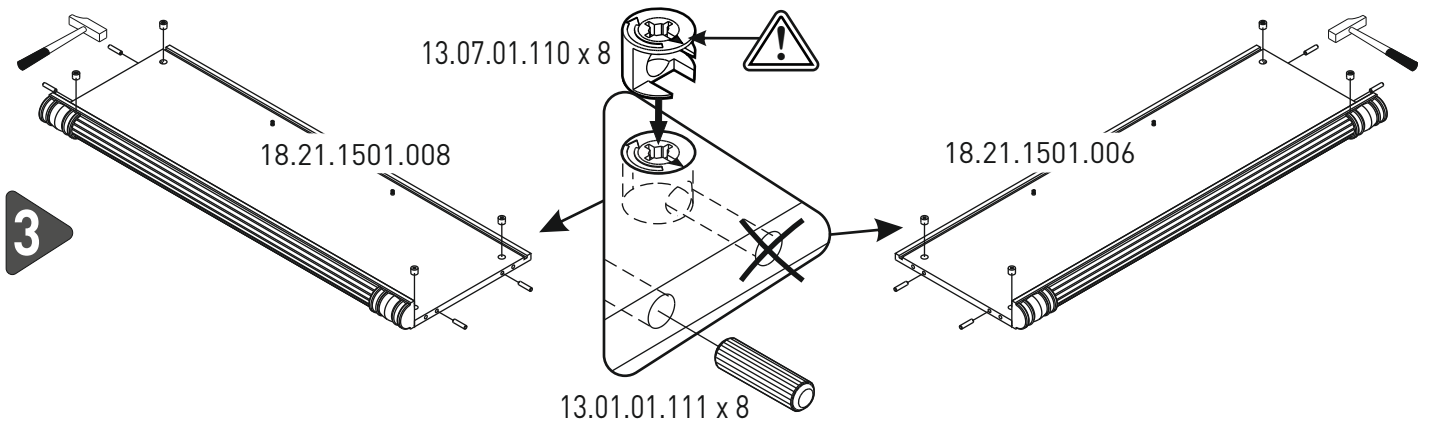
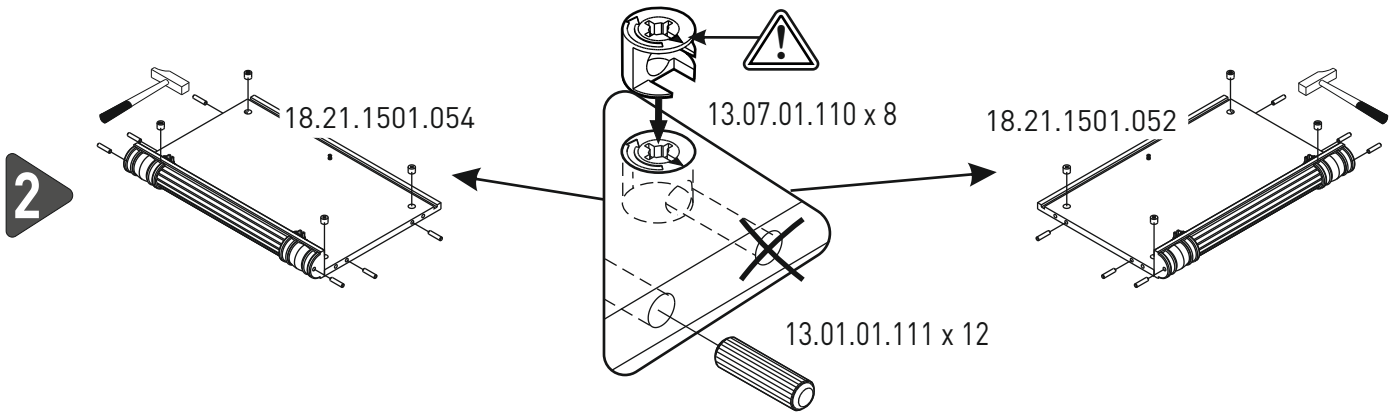
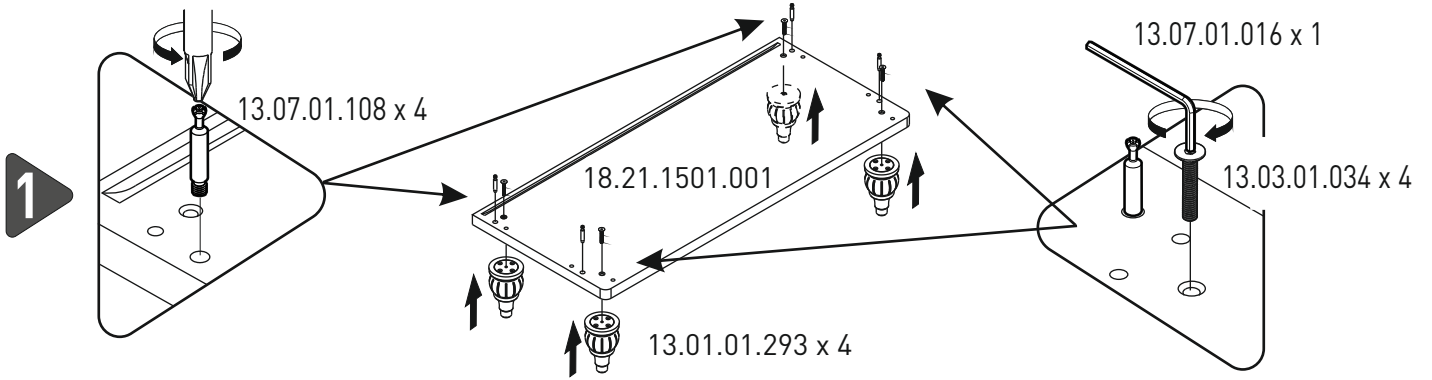
18.21.1501.001 x 1

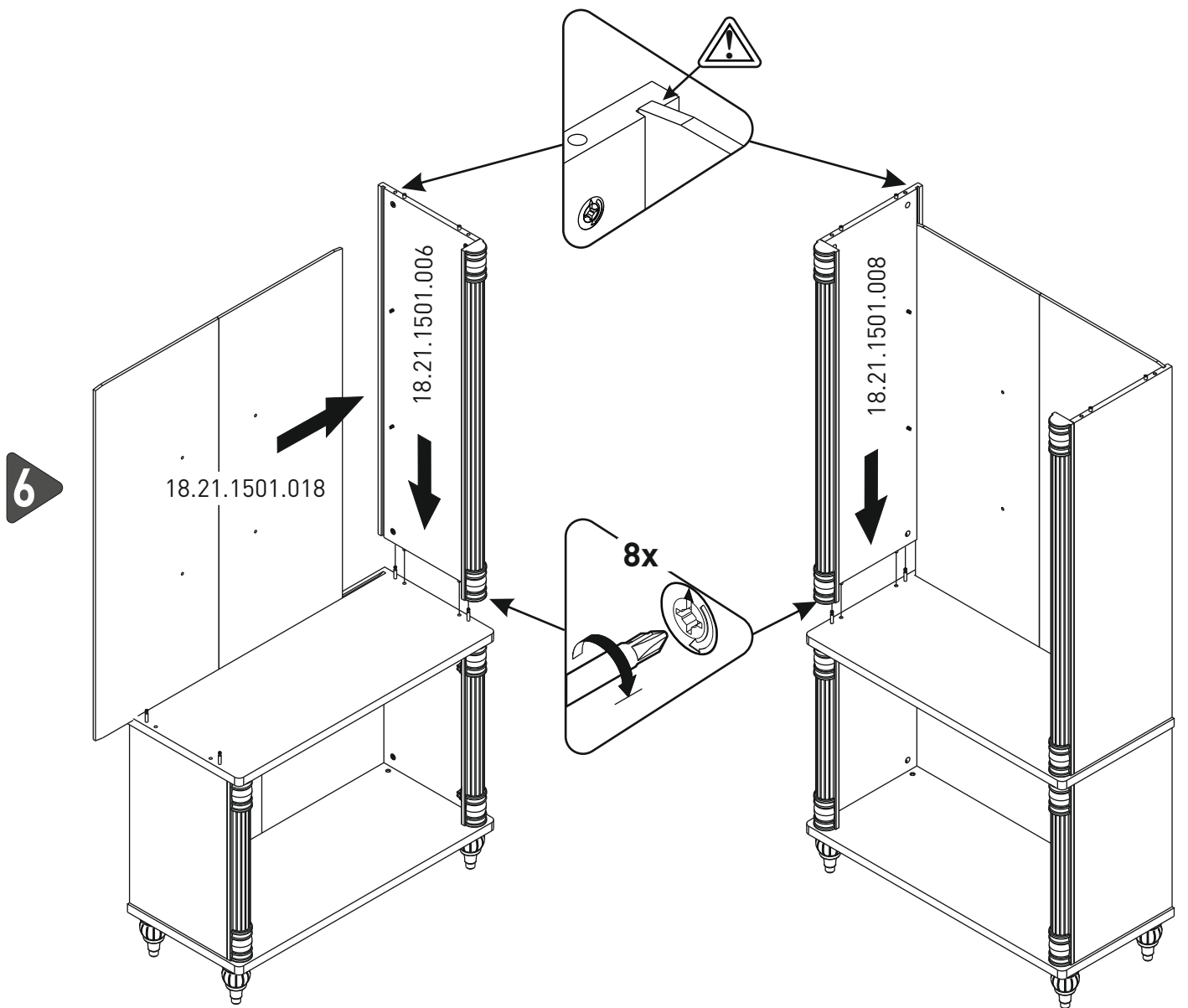
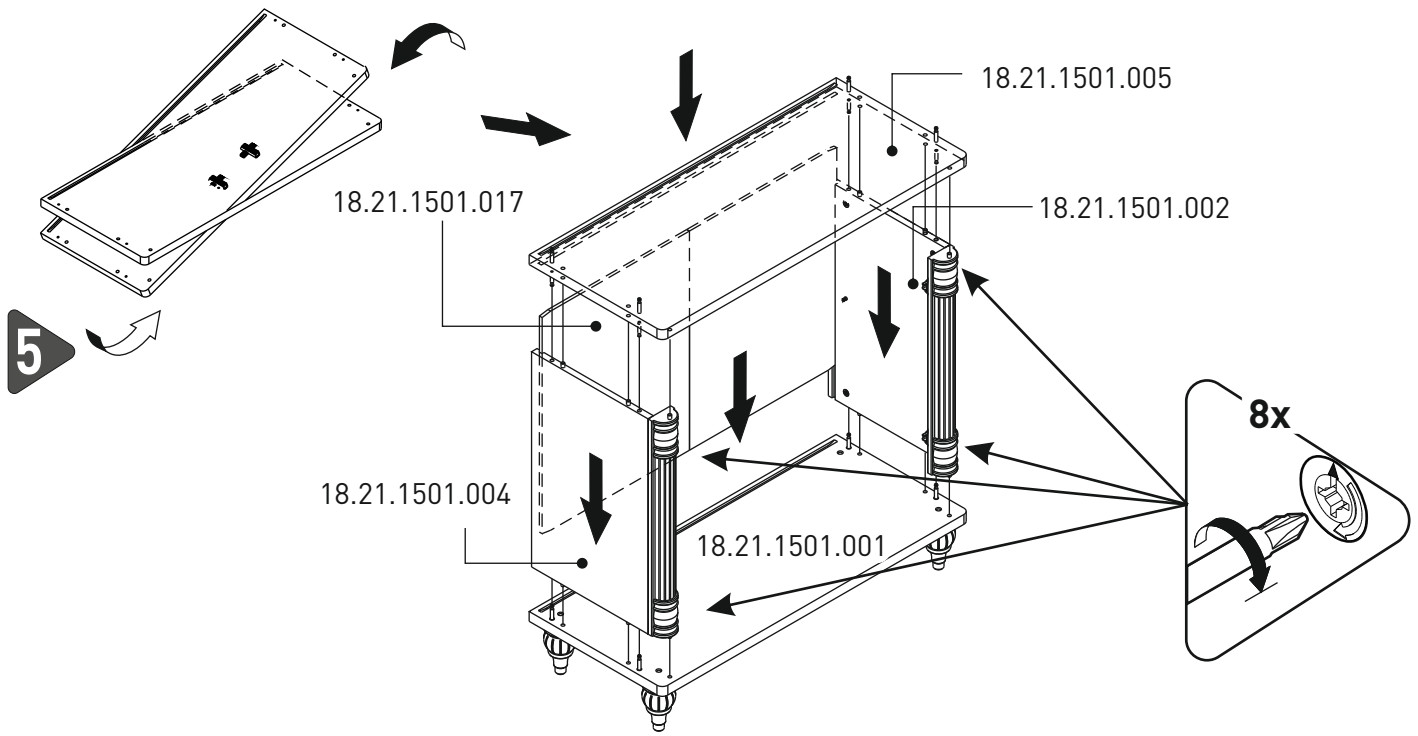


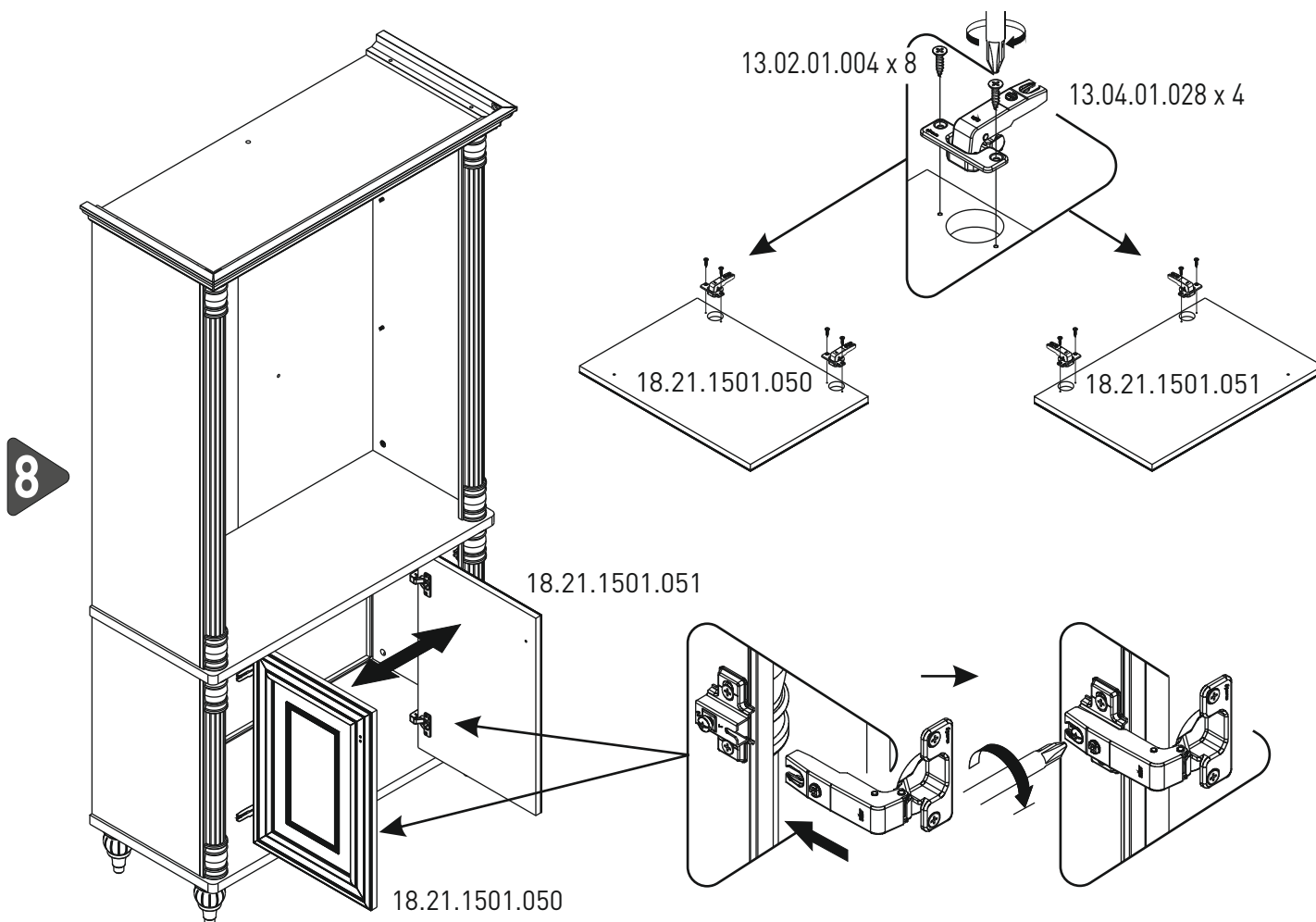
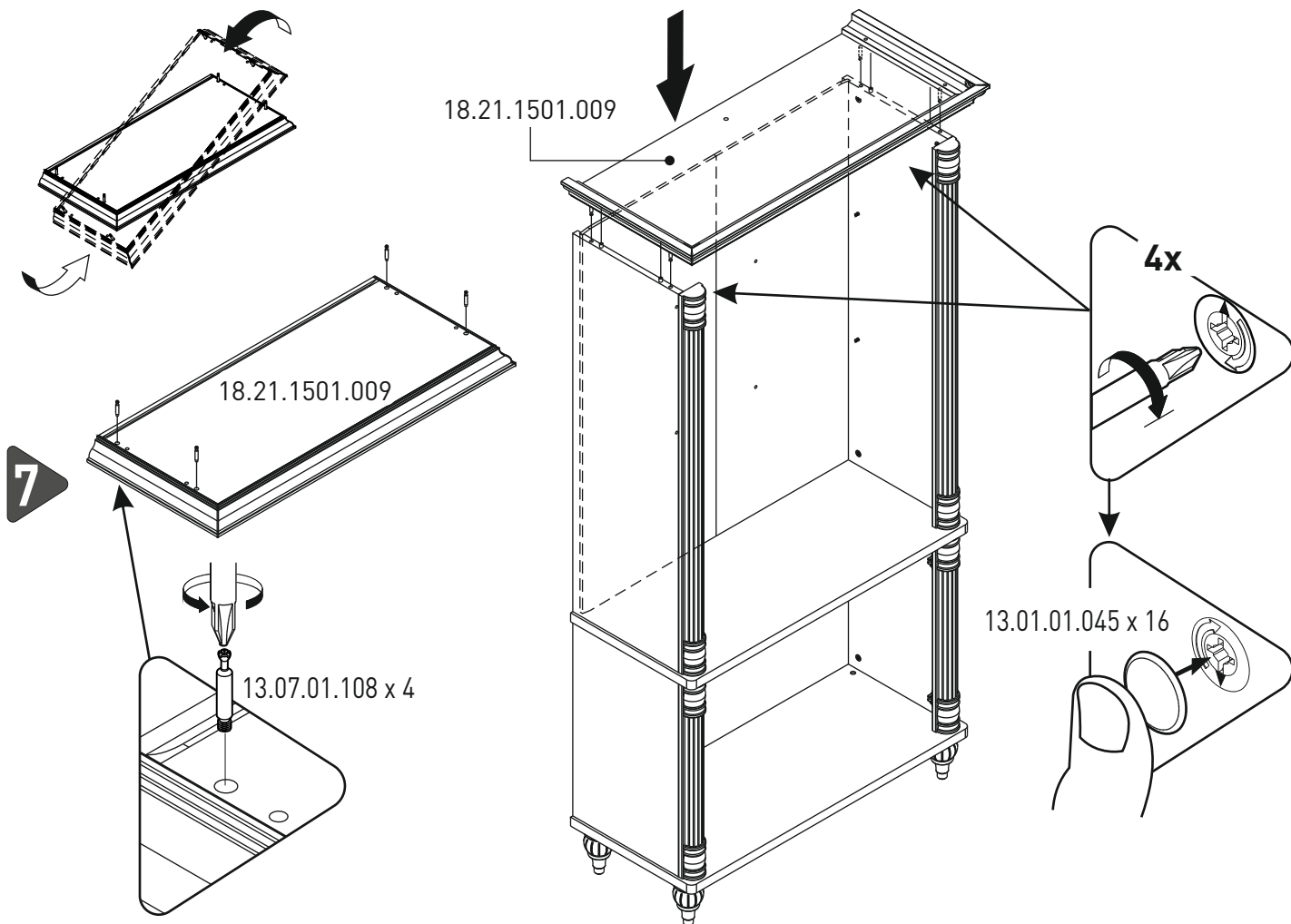
18.21.1501.016 x 3



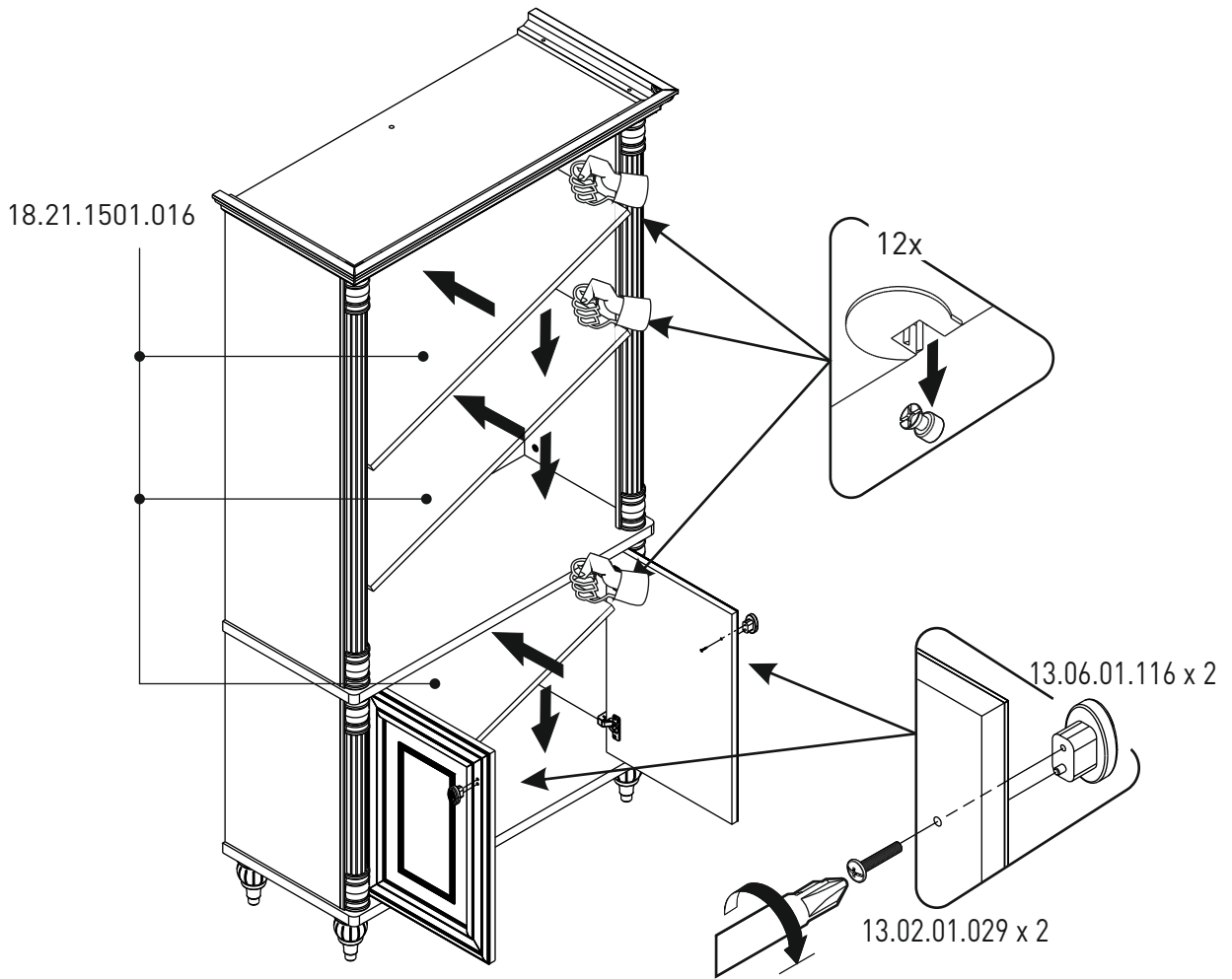
13.01.01.293 x 4



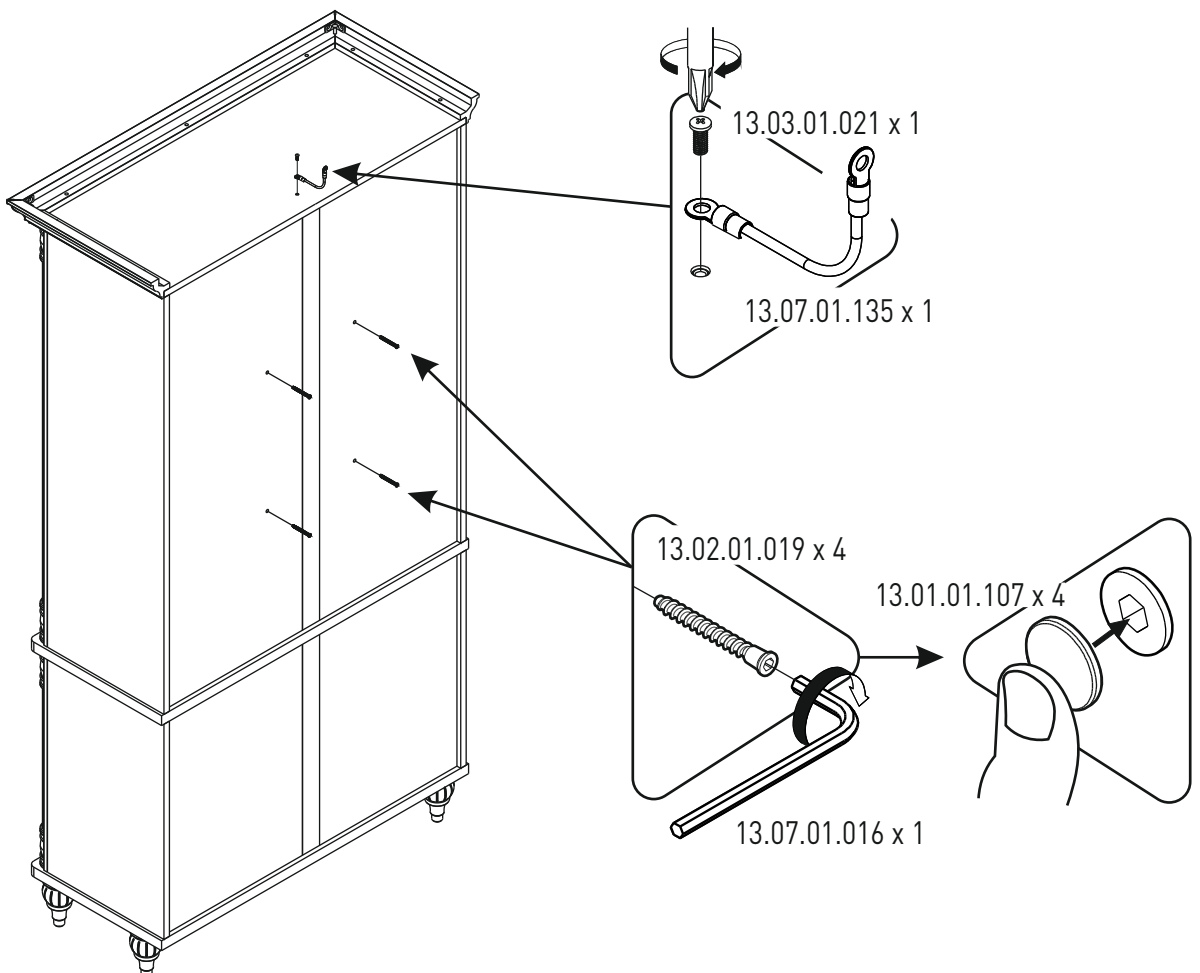




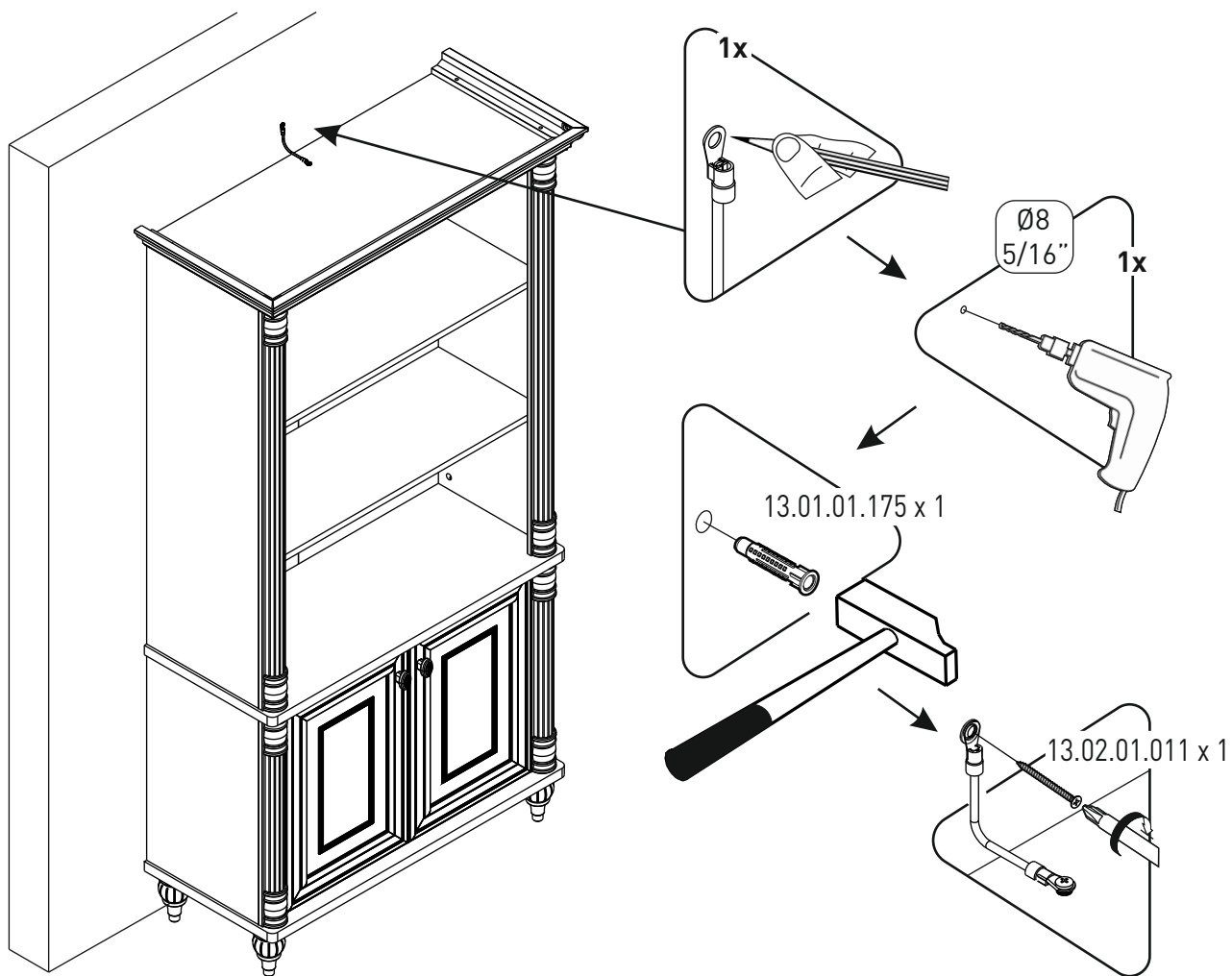
9



10



11



i

